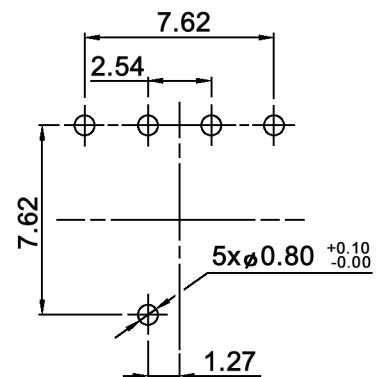


TYPE	CIRCUIT CHARACTERISTIC																
	CODE	POSITION ● ON															
		0	1	2	3	4	5	6	7	8	9	A	B	C	D	E	F
DRS 4016	1		●		●		●		●		●		●		●		●
	2			●	●			●	●			●	●			●	●
	4					●	●	●	●					●	●	●	●
	8									●	●	●	●	●	●	●	●

P.C.B. LAYOUT



Compliance: Rohs II (2011/65/EU)

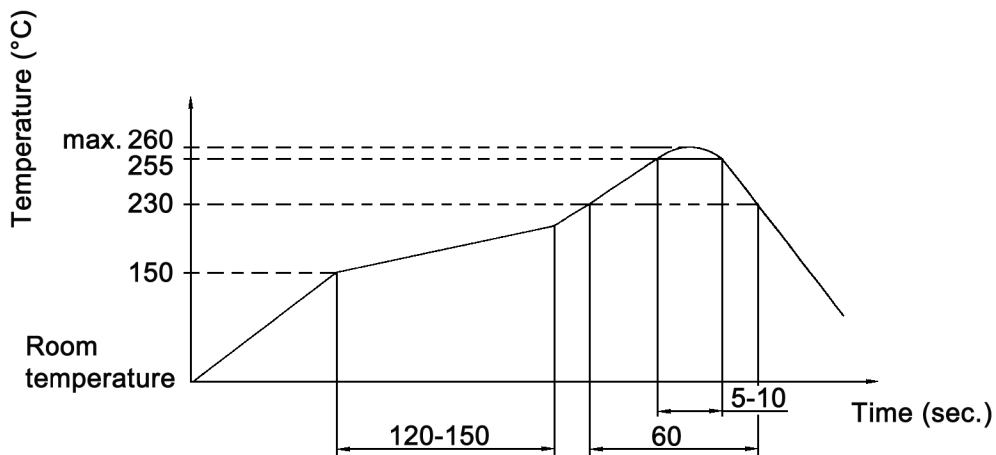
Tolerances: ±0.20mm max.		Date	Name	<h1>DRS 4016</h1>	
		01/08	dr		
Dimensions	04/09	dr			
Dimensions	02/09	dr			
RoHS	07/08	dr	<h2>knitter-switch</h2>	<h1>30 13 24</h1>	
Dimensions	06/08	dr			Page
Operating temperature	04/08	dr			1/2
Modifications	Date	Name			

Specifications:

Contact rating: non-switching: 100mA, 50V DC
 switching: 30mA, 15V DC
Contact resistance: 100mOhm max.
Insulation resistance: 1 000MOhm min. at 250V DC
Dielectric strength: 250V AC for 1 minute
Operating temperature: -40°C to +85°C
Mechanical life: 20 000 cycles min.
Operating force: 250 gf.cm max.
Material: Base / cover: high-temp. thermoplastic nylon UL94V-0,
 molded black
 Movable contact: alloy copper, gold plated
 Actuator: high-temp. thermoplastic nylon UL94V-0,
 color: yellow
 O-ring: silicone
 Spring: stainless steel
 Terminal: brass, gold plated

RoHS compliant and free from DecaBDE

Soldering conditions: wave soldering: 260°C, 5sec. max.
 through hole reflow: 260 +/-5°C, 4-6sec.



Compliance: RohS II (2011/65/EU)

Tolerances: ±0.20mm max.	Date	Name	DRS 4016
	12/07	dr	
			30 13 24
			Page
			2/2
Modifications	Date	Name	